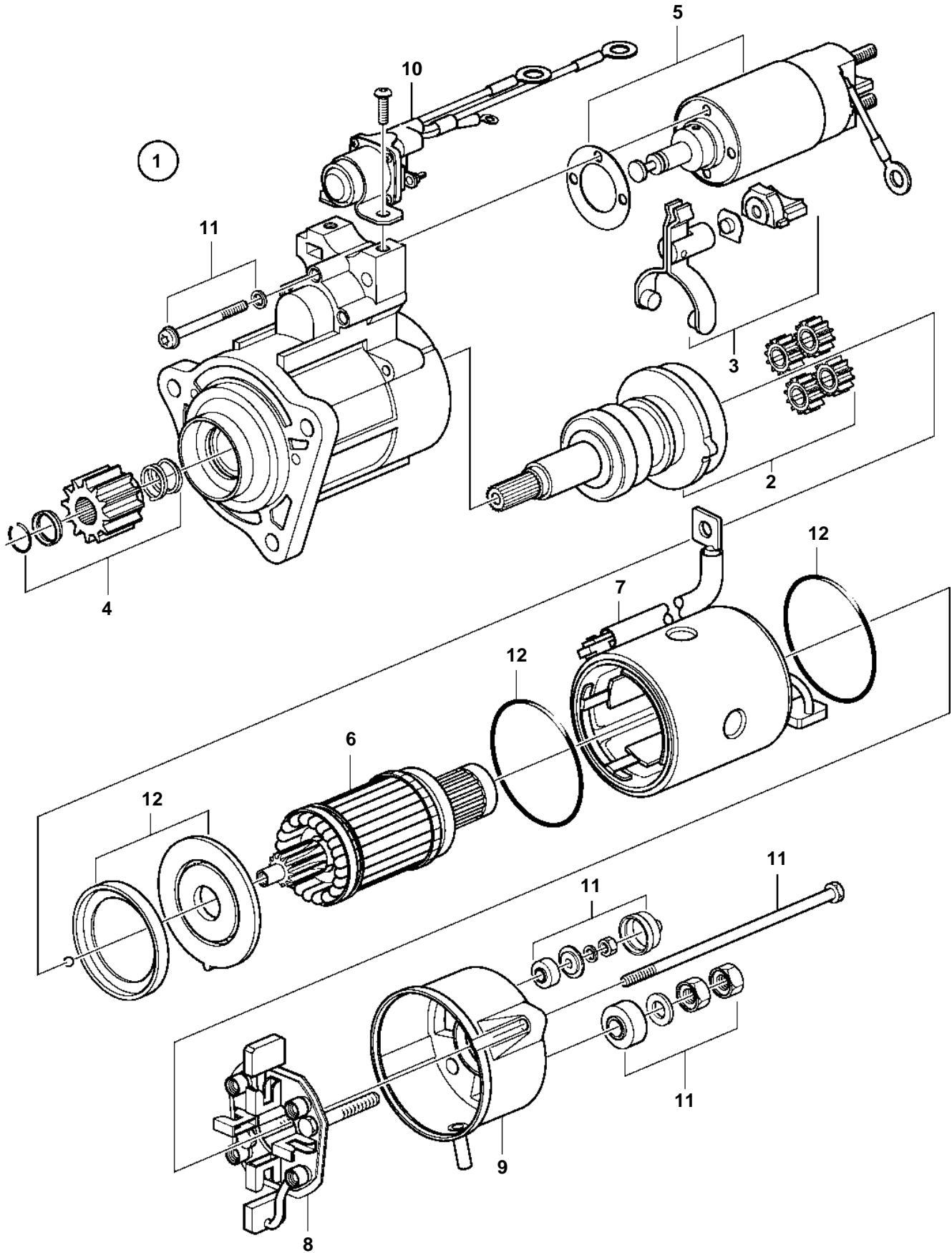


TAD1641VE, TAD1642VE



TAD1641VE, TAD1642VE

REF	PART NO.	QTY	DESCRIPTION
1	3803838	1	Starter motor, exch
2		1	· Shaft
3		1	· Lever
4	874738	1	· Starter pinion
5	874745	1	· Solenoid
6		1	· Rotor
7		1	· Stator
8	874741	1	· Carbon brush retaine
9		1	· Bearing shield
10		1	· Relay
11	874747	1	· Screw kit
12	874746	1	· Gasket kit